

FRANKE FOODSERVICE SOLUTIONS

EcO₃Ice™

ANTIMICROBIAL ICE PROTECTION



Item #:
Project:
Quantity:

MODEL NUMBER

- X8
- X16

PRODUCT OVERVIEW

The compact EcO₃Ice™ device uses a unique, synthetic diamond-based technology that continuously treats incoming ingredient water used by ice machines, killing bacteria, yeast and mold in the water and ice-making path from beginning to end. Reduces biofilm build-up, greatly extending required time between cleanings. With each cycle, EcO₃Ice™ creates a small, safe but effective amount of pure ozone—nature’s own sanitizer—which continuously treats the machine interior, storage bin, remote bin and drains.

PRODUCT FEATURES

- Attaches quickly without special tools to incoming water line of ice machine
- 1/2” push/pull quick-connect fittings
- Runs silently and automatically
- Operator-replaceable, “twist-on” electrolytic cartridge
- LED indicator lamps show status, tell when it’s time to replace cartridge

EcO₃Ice™ MODEL SELECTION GUIDE

Select the EcO₃Ice™ model by production rate of ice machine.

Model	X8	X16
Production Rate	200 lbs to 699 lbs/day capacity machines	700lbs/day and larger capacity machines
Cartridge Life*	12 to 18 months	6 to 18 months

*NOTE: Cartridge life is dependent upon water quality and ice machine water consumption.

WARRANTY

- Warranted against defects in materials and workmanship for 1 year, parts-only, on head unit; 30 days parts-only on cartridge. Normal use exclusions apply, per Operating Manual.

Approval _____



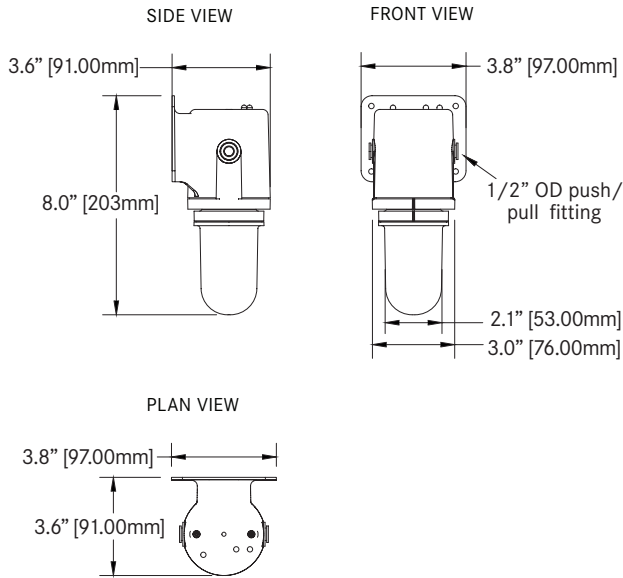
Franke Foodservice Solutions, Inc.
 800 Aviation Parkway
 Smyrna, TN 37167
 Tel +1-877-379-3769
 frankeamericas.com

Make it wonderful

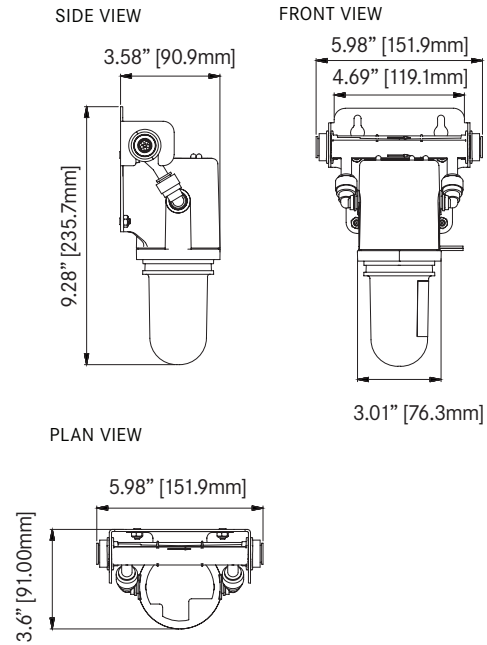



EcO₃Ice™ - ANTIMICROBIAL ICE PROTECTION

Model X8



Model X16



	X8	X16	
DIMENSIONS	Overall	Overall	
	Width	3.8" 97mm	5.98" 151.9mm
	Depth	3.6" 91mm	3.6" 91mm
	Height	8.0" 203mm	9.28" 235.7mm
ELECTRICAL	Voltage	100-240	
	Phase	1	
	Amps (by phase)	1.25 Max	
	Watts (by phase)	240 Max	
	Unswitched Circuit	 Within 5' of EcO ₃ Ice assembly	
WEIGHT	Net Weight	1.8 lbs	
	Gross Weight	2.0lbs	
SHIPPING	FOB	Fayetteville, TN 37334	
	Freight Class	Ships via UPS	

SHORT-FORM SPECIFICATIONS: Model No EcO₃Ice™ X8 and X16, measuring approximately 3.8" L x 3.6" W x 8.0" H (X8) or 5.98" L x 3.6" W x 9.28" H (X16) and requiring 100-240v, 50/60 Hz supply for provided 24v, 1.25A transformer (integrated into power cord). Unit shall include synthetic diamond-based electrolytic technology to produce a small, safe and precise amount of dissolved ozone from the oxygen in the ice machine's water supply; removable electrolytic cell cartridge; LED indicator lights for cartridge replacement and system function. Shall include 1 year parts warranty on head unit and 30 days parts warranty on replacement cartridge.

	X8	X16	
WATER	Water Line Connection	1/2" OD push/pull fitting	1/2" OD push/pull fitting
	Water Temperature	40°F to 86°F (4°C to 30°C)	
	Water Quality	Clean, Potable Water Only (recommended hardness ≤300 ppm CaCO ₃)	
	Water Supply Pressure	*min 20 psi max 125 psi *min (1.37 bar) max (8.62 bar)	
	Water Flow	0.34gpm - 1.3gpm (1.3lpm - 4.9lpm)	1.3gpm - 4.2gpm (4.9lpm - 16lpm)
MISC.	1. Connect EcO ₃ Ice™ only to a cube, not a flake/nugget, ice machine 2. Connect only one ice machine per EcO ₃ Ice™ device 3. Connect EcO ₃ Ice™ only to a commercial ice machine, not a household ice maker. 4. Do not connect EcO ₃ Ice™ to other devices, such as a beverage or water dispenser. 5. EcO ₃ Ice™ does not replace mechanical water filtration. For best results, always connect EcO ₃ Ice™ in the water supply line between the filtration system and the ice machine.		

© 2016 Franke Foodservice Solutions, Inc. Due to continuous product development, Franke reserves the right to make changes in design and specifications without prior notice. Under license by Franke Technology and Trademark Ltd., Switzerland. Printed in USA.

Make it Wonderful

